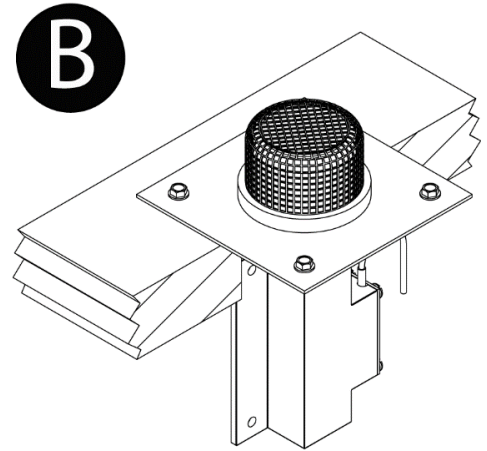
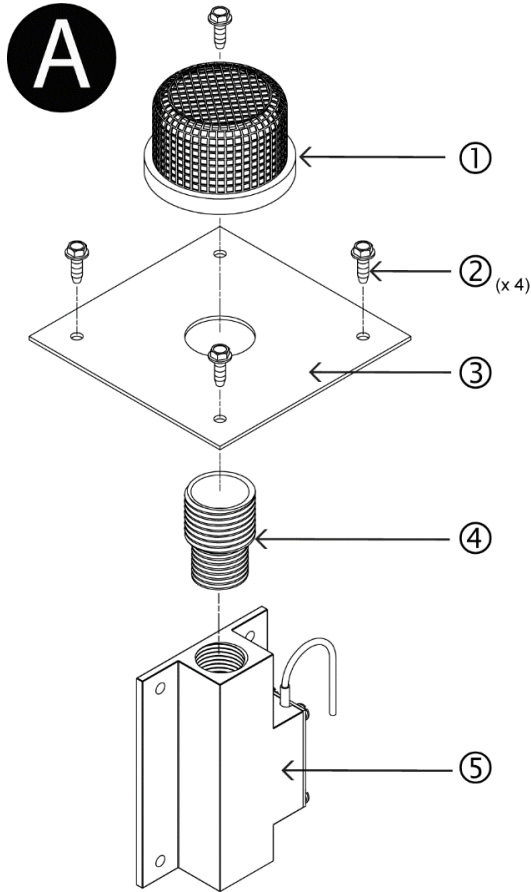


## -B Probe Installation (Floor Mounting)



Step 1. Select a low traffic location in the floor that allows for bleed sensor placement and installation.



*Do not place the protective screen in an expected floor traffic area since it protrudes approximately 1-3/8 inches above the floor surface.*



*It is recommended for the bleed sensor to be installed with the airflow directional arrow pointing in the direction of the normal airflow.*

REFER TO FIGURE "A" WHEN COMPLETING STEPS 2 TO 8.

Step 2. Mark the center of where sensor will be installed, as selected in Step 1.

Step 3. Using the face plate [2] as a template, center over the mark made in Step 2; mark and drill four pilot holes at the locations for the four mounting screws [2] (screws not provided).

Step 4. Drill a 3 inch hole at the center-point marked in Step 2.

Step 5. Thread the reducer fitting [4] into the downstream side of the bleed sensor [5].

Step 6. Position the face plate [3] over the reducer fitting [4] and secure in place with protective mesh screen [1].

Step 7. Lower the bleed sensor [5] into the hole drilled in Step 4.



*Make any provisions necessary so that the cable from the bleed sensor can reach the Ebtron Transmitter.*

Step 8. Secure the face plate [3] to the floor with four mounting screws [2] (screws not provided).

Step 9. Bleed sensor installation is complete! Figure "B" shows a completed installation.