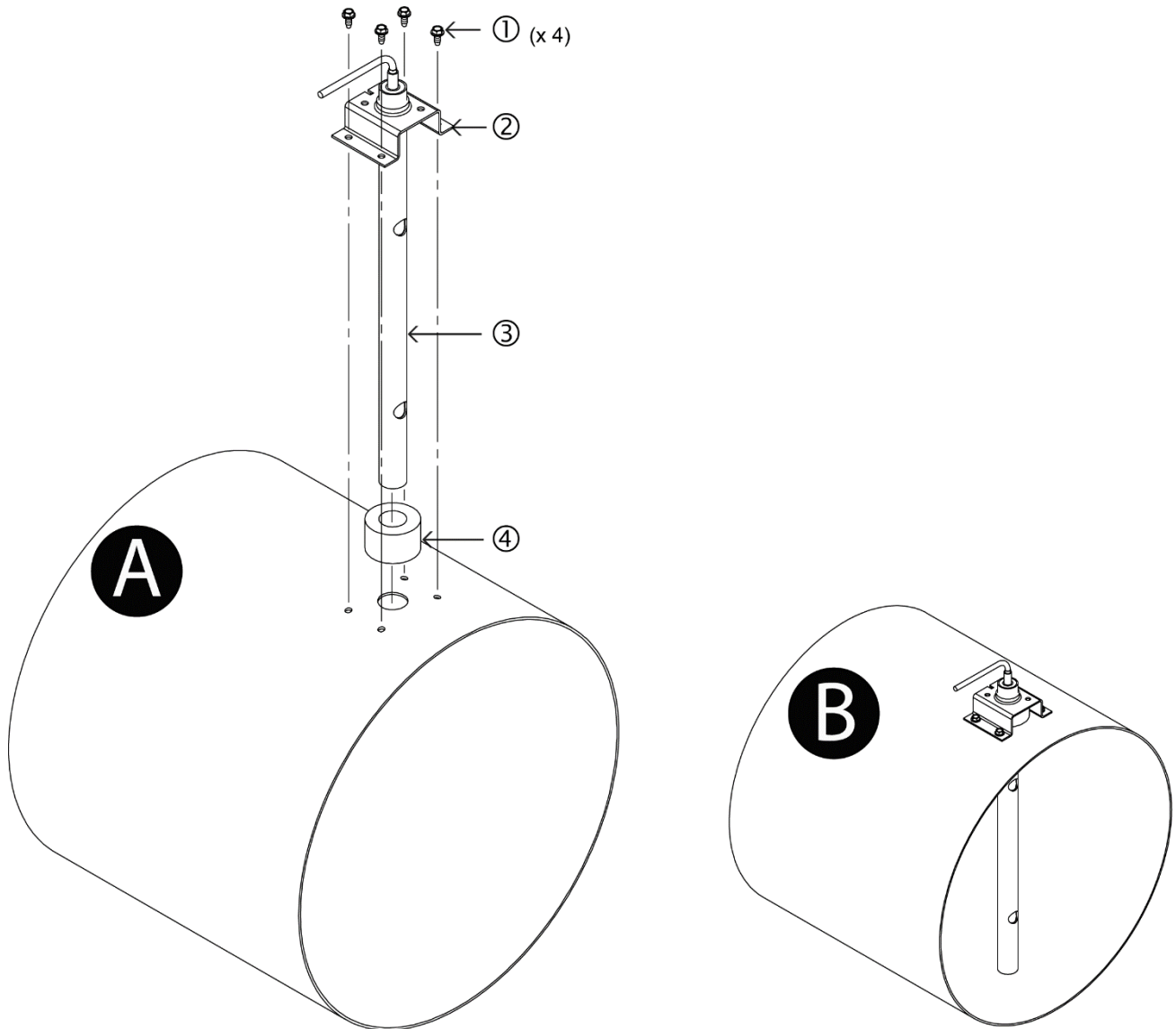


-T Probe Installation (Insertion Mounting)



Step 1. Select a location in the duct that meets or exceeds EBTRON's recommended placement guidelines.



If the location does not meet or exceed placement guidelines the installed accuracy may be compromised and field adjustment may be necessary.

Step 2. Probes are ordered with probe length equal to the duct diameter. Verify that the probe length ordered matches the duct size.



If the probe length ordered is incorrect, the sensors will not be located in the proper location, thus affecting the installed accuracy. Contact EBTRON customer service for more information.



If the actual size of the duct is not equal to the size ordered, the AREA parameter must be changed in the transmitter to display the proper airflow rate in CFM [l/s].



Do not cut the probe! Cutting the probe will void warranty.



If mounting in a terminal box, locate probe 3 inches minimum upstream of box or 3 inches minimum upstream of existing flow ring.

REFER TO FIGURE "A" WHEN COMPLETING STEPS 3 TO 10.

- Step 3. Mark the center-point where the probe will be located.
- Step 4. Drill a 7/8 inch hole at the location marked in Step 3.
- Step 5. Remove the foam gasket [④] from the probe tube [③] and insert a probe into the duct.
- Step 6. Use the probe mounting bracket [②] as a template to mark the location for the mounting screws [①]. The mounting bracket will self-align on the round duct to the direction of airflow.
- Step 7. Remove the probe from the duct, and reinstall the foam gasket [④] onto the probe tube [③].
- Step 8. Drill four appropriately sized pilot holes at the locations marked in Step 6 for the four mounting screws [①] selected (screws not provided).
- Step 9. Insert the probe tube [③] in the duct with the airflow directional arrow pointing in the direction of airflow.
- Step 10. Secure the probe to the duct with four sheet metal screws [①] in the holes drilled in Step 8.
- Step 11. Probe installation is complete! Figure "B" shows a completed probe installation.