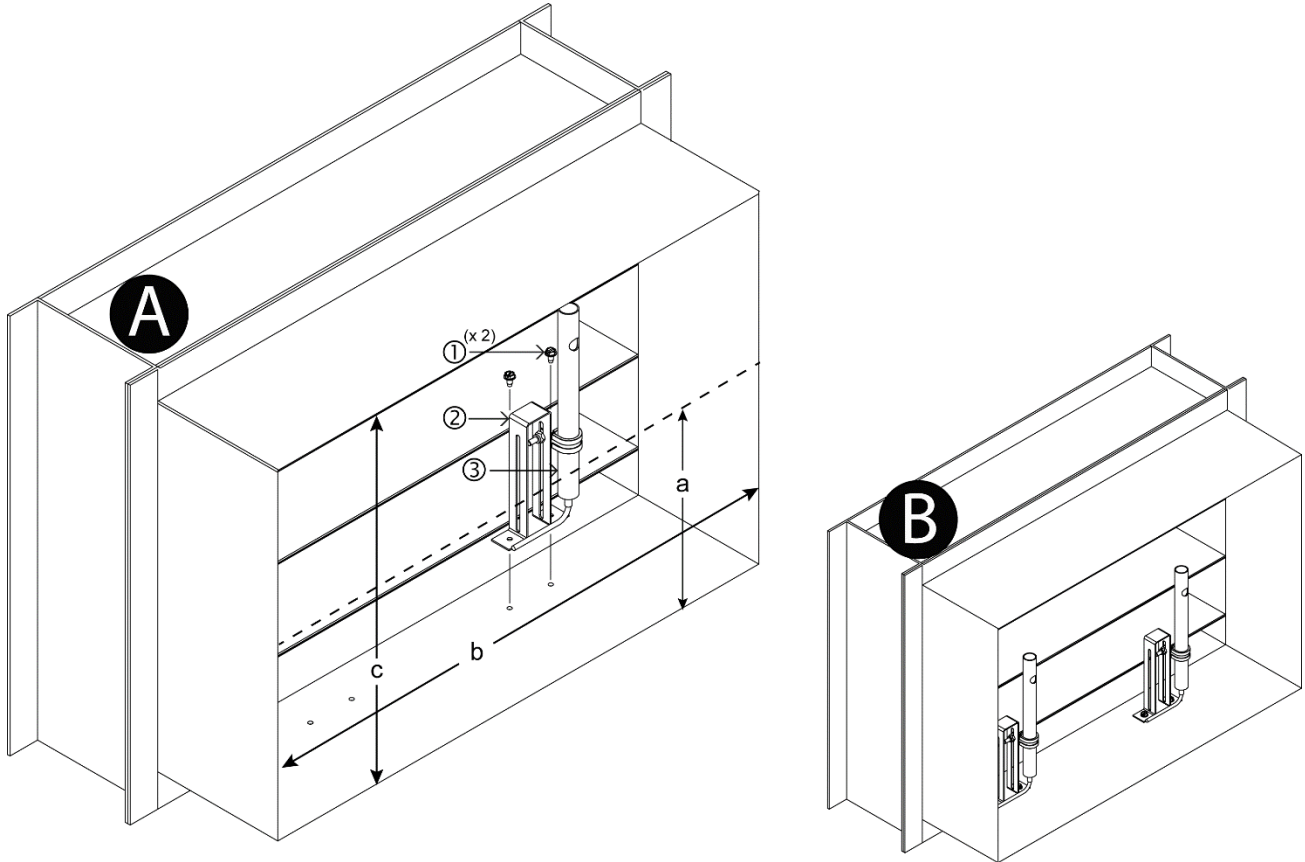


-U Probe Installation (Standoff Mounting)



Step 1. Select a location in the duct or plenum opening that meets or exceeds EBTRON's recommended placement guidelines.



If the location does not meet or exceed placement guidelines the installed accuracy may be compromised and field adjustment may be necessary.

REFER TO FIGURE "A" WHEN COMPLETING STEPS 2 TO 9.

Step 2. Determine which side(s) of the duct or plenum opening will be the mounting location for the probe(s).



Probes provided with standoff mounting can be installed on any side that will allow sensor node to be located for equal area distribution.

Step 3. Mark the center-point for each probe provided as calculated in Table 1 at the location determined in Step 1:

TABLE 1 – PROBE PLACEMENT		
Number of Probes	Mounting Side	Probe Position
1	Short Side (c)	c x 0.5
1	Long Side (b)	b x 0.5
2 (1 per Side)	Short Side (c)	c x 0.5
2 (Same Side)	Long Side (b)	b x 0.25 (measured from opposite sides)



When installing two probes, both must be installed on the plane established in Step 1.

Step 4. Determine sensor node placement for each probe provided as indicated in Table 2 to allow for equal area sensor distribution:

TABLE 2 –SENSOR PLACEMENT ('a')		
Number of Probes	Mounting Side	Sensor Position
1	Short Side (c)	b x 0.5
1	Long Side (b)	c x 0.5
2 (1 per Side)	Short Side (c)	b x 0.25
2 (Same Side)	Long Side (b)	c x 0.5

i *Sensor location is measured from the mounting side of the duct referenced in Step 3 to the centerline of the sensor ('a').*

Step 5. Using the standoff mounting bracket [2] as a template, mark and drill the two pilot holes on the duct/opening for the mounting screws [1] selected, so that the sensor will be centered at the location calculated in Step 4 (screws not provided).

Step 6. Position the standoff mounting bracket [2] over the holes drilled in Step 5, so that the airflow directional arrow on the probe is pointing in the direction of the airflow.

Step 7. Secure standoff mounting bracket [2] to the duct/opening with two mounting screws [1] in the pre-drilled holes (screws not provided).

Step 8. Position probe in standoff bracket so that the sensor is centered in the position noted in Step 4, and secure with Adel clamp nut.

i *Installations where space is limited may make it necessary to first secure the probe in position on the mounting bracket, and then mount it to the duct.*

Step 9. If two probes are being installed, repeat Steps 5 to 8 for the second probe.

Step 10. Probe installation is complete! Figure "B" shows a completed two probe installation.